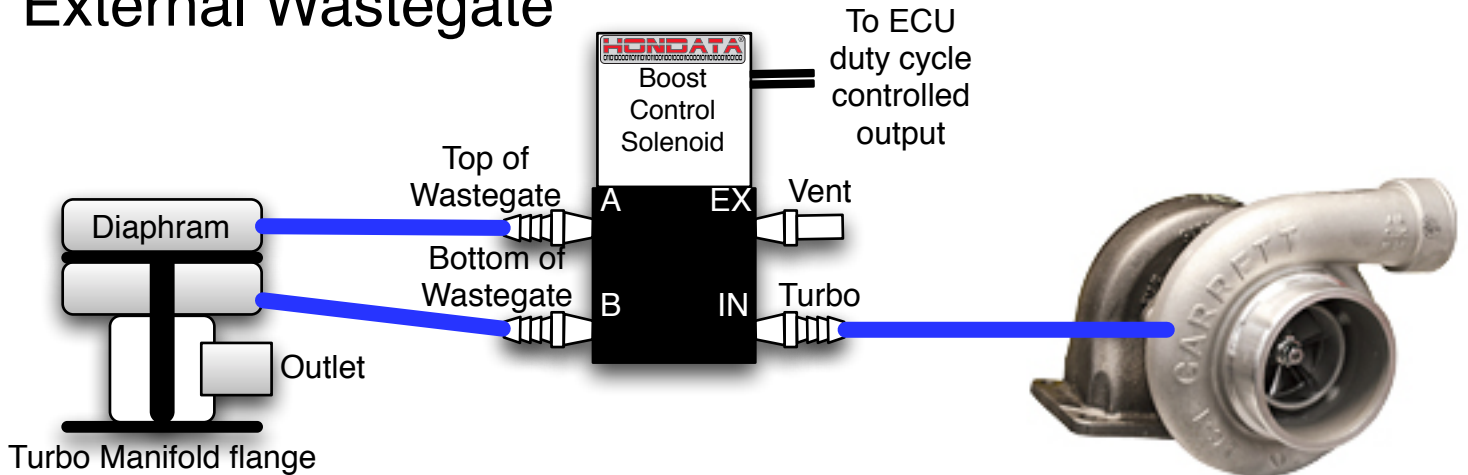


Hondata 4 Port Boost Control Installation

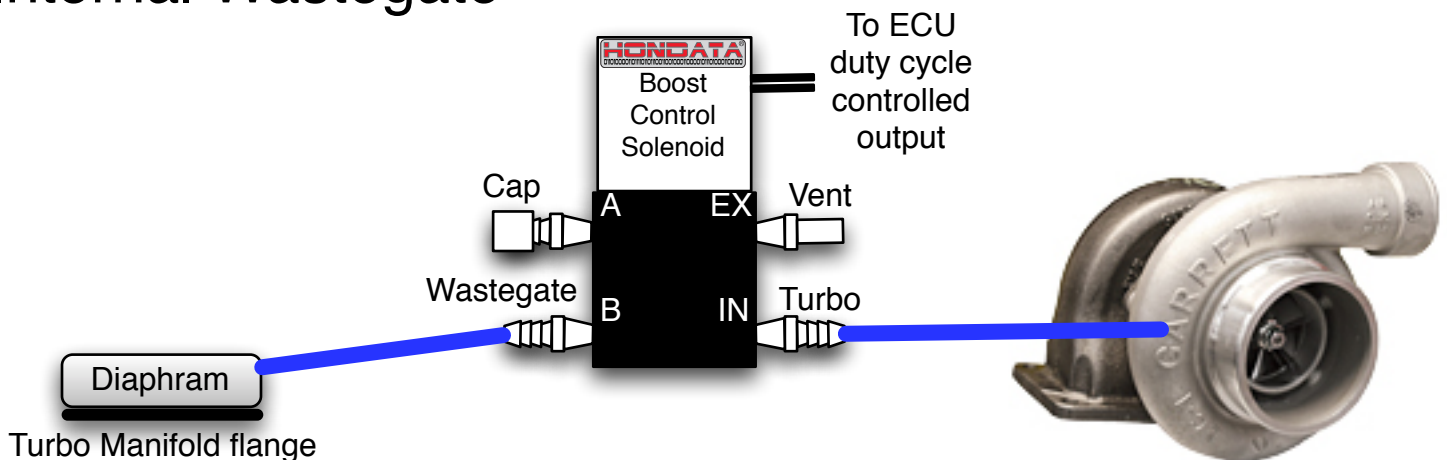


External Wastegate



- Plumb the port labelled A to the top of the waste gate
- Plumb the port labelled B to the bottom of the waste gate
- Plumb the port labelled IN to a source of boost pressure
- Connect the vent filter to the port labelled EX

Internal Wastegate



- Cap port A
- Plumb the port labelled B to the waste gate
- Plumb the port labelled IN to a source of boost pressure
- Connect the vent filter to the port labelled EX